


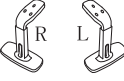

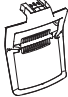




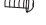





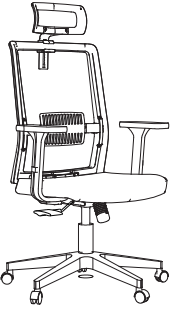
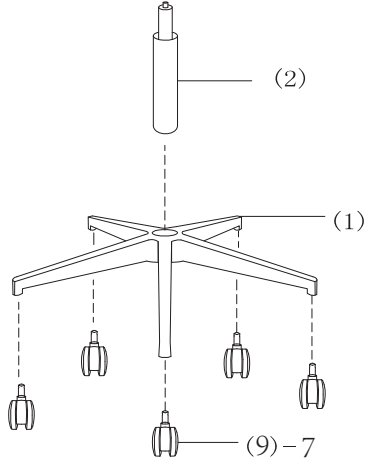


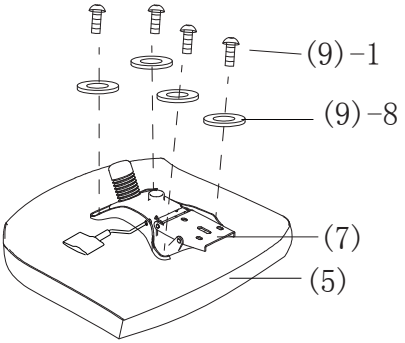
Assembling Instruction

(1) Base	(2) Gas Column	(3) Headrest
		
(4) Armrest	(5) Seat	(6) Back
		
(7) Mechanism		(8) headrest connector
		
<p>(9)</p> <ol style="list-style-type: none">  x4 (6x20) mm  x6 (6x30) mm  x3 (6x35) mm  x2 (5x16) mm  x6 (6x13) mm  x1 5mm  x5  x7 (6x16) mm 		
		

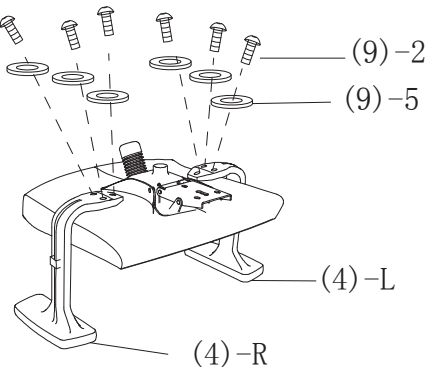
A



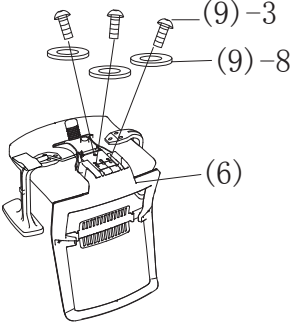
B



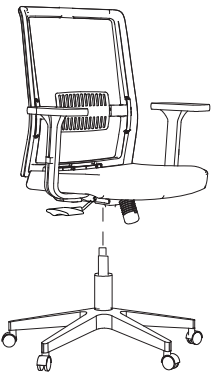
C



D

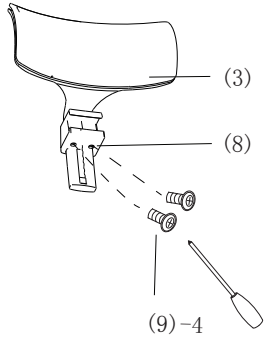


E



F

Note: Do not tighten any of them until all are in place!



G

Tighten the headrest screw after aligning the headrest clasp to the backrest groove.

